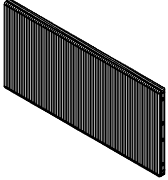


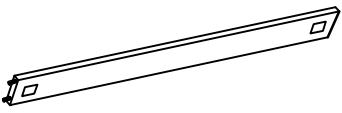
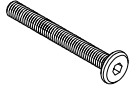


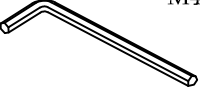


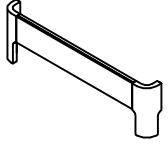
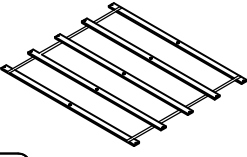
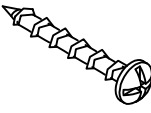
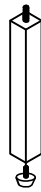
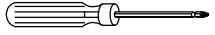
Warning :

- Be sure to check all packing material carefully for small parts, which may have come loose inside the carton during shipment.
- To prevent possible scratches and damage, this furniture **MUST BE ASSEMBLED BY TWO PEOPLE** on a soft surface such as a blanket or carpet.

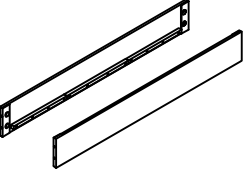
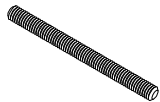

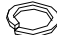

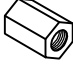
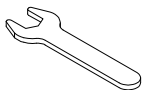
Hardware and Parts packed with the Headboard

<p>Queen Upholstered Headboard 42570</p>  <p>(H-A) 1 pc.</p>	<p>Headboard Post (Left)</p>  <p>(H-B) 1 pc.</p>	<p>Headboard Post (Right)</p>  <p>(H-C) 1 pc.</p>	<p>Stretcher Headboard</p>  <p>(H-D) 1 pc.</p>
<p>Allen Head Bolt Ø5/16"-18 x 2-3/16"</p>  <p>(H-E) 10 pcs.</p>	<p>Spring Washer Ø5/16" x Ø13</p>  <p>(H-F) 10 pcs.</p>	<p>Flat Washer Ø5/16" x Ø19</p>  <p>(H-G) 10 pcs.</p>	<p>Allen Key M4 x 2-1/2"</p>  <p>(H-H) 1 pc.</p>

Hardware and Parts packed with the Footboard

<p>Queen Panel Footboard 42571</p>  <p>(F-A) 1 pc.</p>	<p>Wood Slat 62" Long</p>  <p>(F-B) 1 Set.</p>	<p>Wood Screw #4 x 35mm</p>  <p>(F-C) 10 pcs.</p>	<p>Support Leg 1-1/4" x 1-1/4" x 11"</p>  <p>(F-D) 5 pcs.</p>	<p>Screw Driver not included</p> 
--	---	--	--	--

Hardware and Parts packed with the Bed Rails

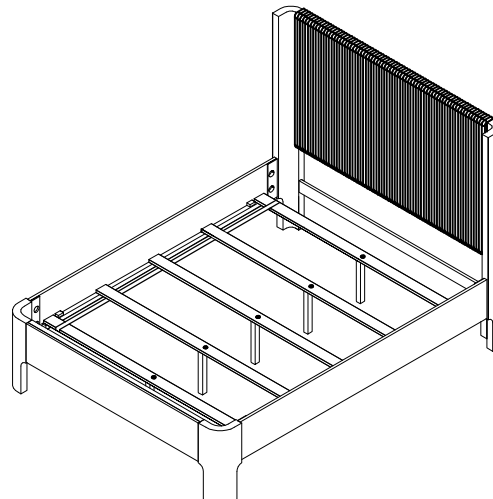
<p>Panel Side Rails - 42572</p>  <p>(R-A) 2 pcs.</p>	<p>All-Thread Bolt Ø5/16"-18 x 2-15/16"</p>  <p>(R-B) 8 pcs.</p>	<p>Arc Washer 37x17mm</p>  <p>(R-C) 8 pcs.</p>	<p>Spring Washer Ø5/16" x Ø13mm</p>  <p>(R-D) 8 pcs.</p>	<p>Flat Washer Ø5/16" x Ø16mm</p>  <p>(R-E) 8 pcs.</p>	<p>Hex Nut Ø5/16" x 18mm</p>  <p>(R-F) 8 pcs.</p>	<p>Open Wrench 13 mm</p>  <p>(R-G) 1 pc.</p>
--	---	---	---	---	--	---

5/0 Queen Bed

42570 -- 5/0 Uph Headboard

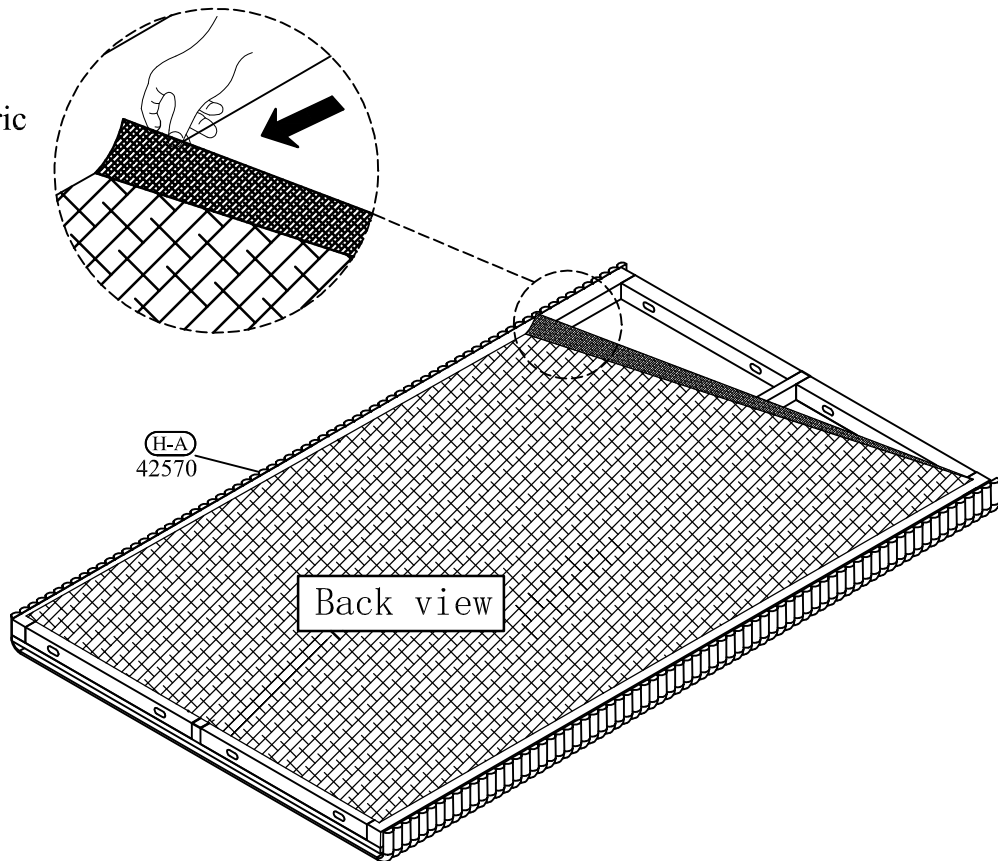
42571 -- 5/0 Footboard

42572 -- 5/0 - 6/6 Bed Rails

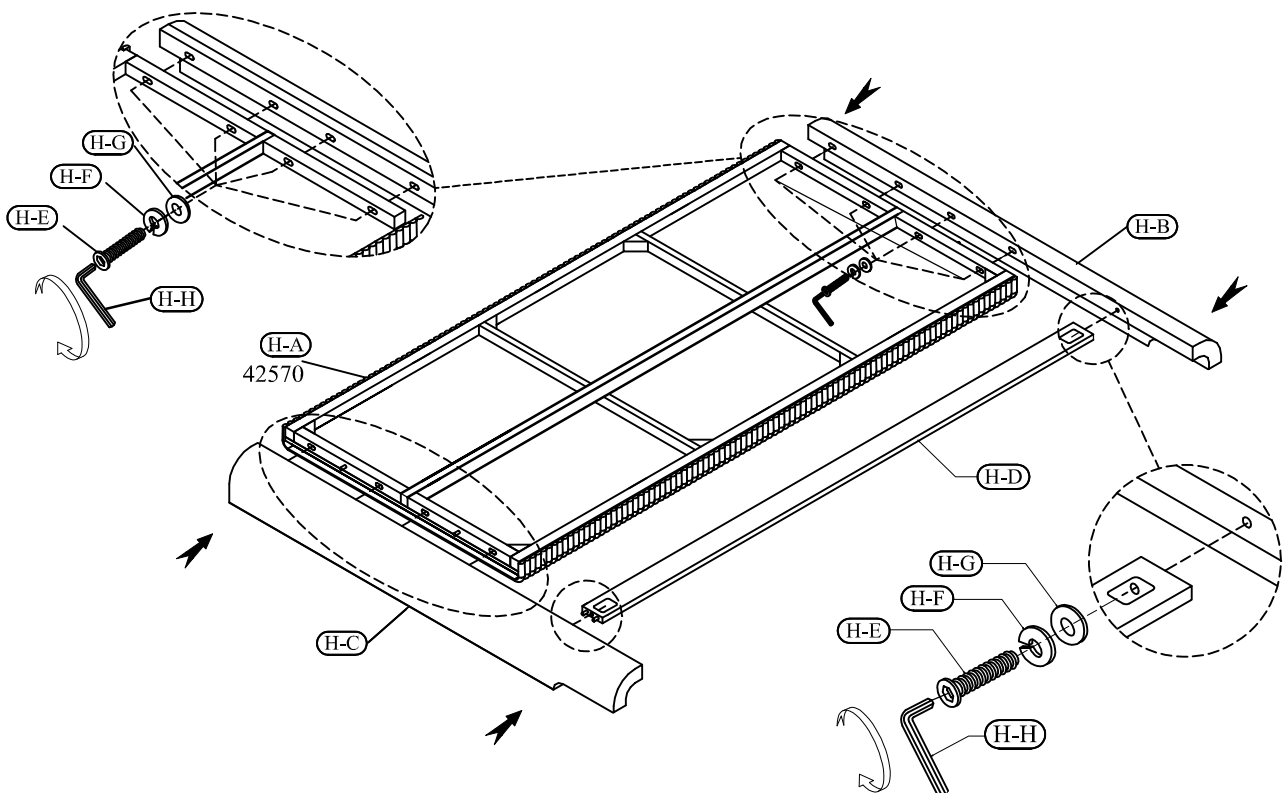


STEP 1

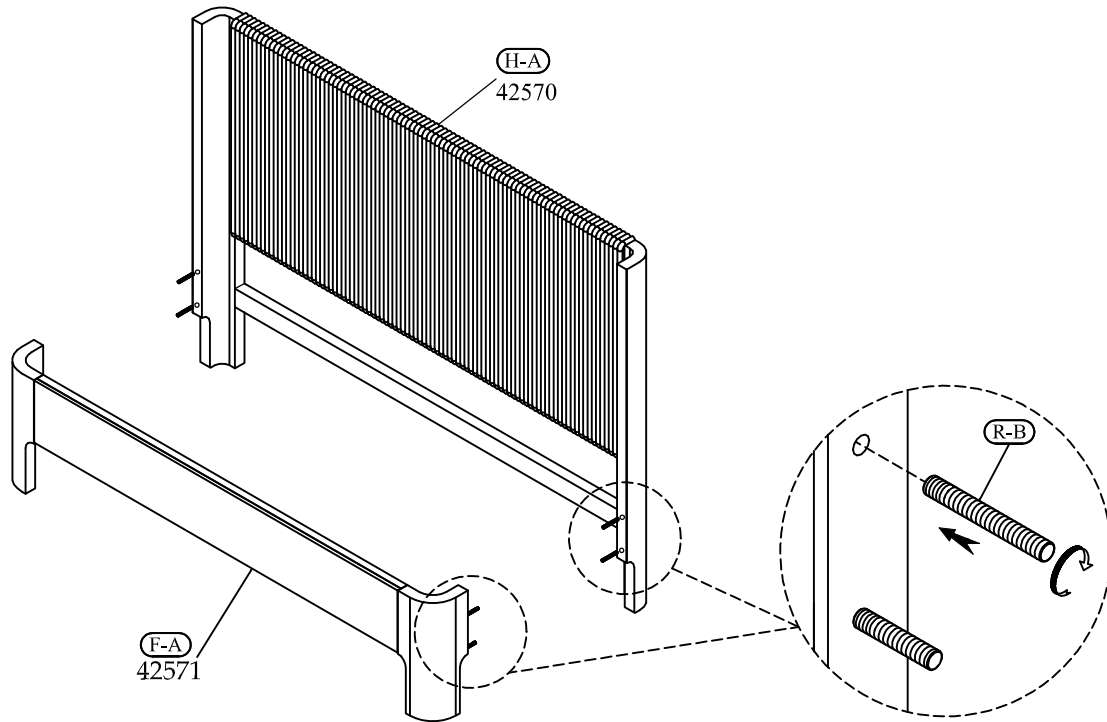
Open the back fabric



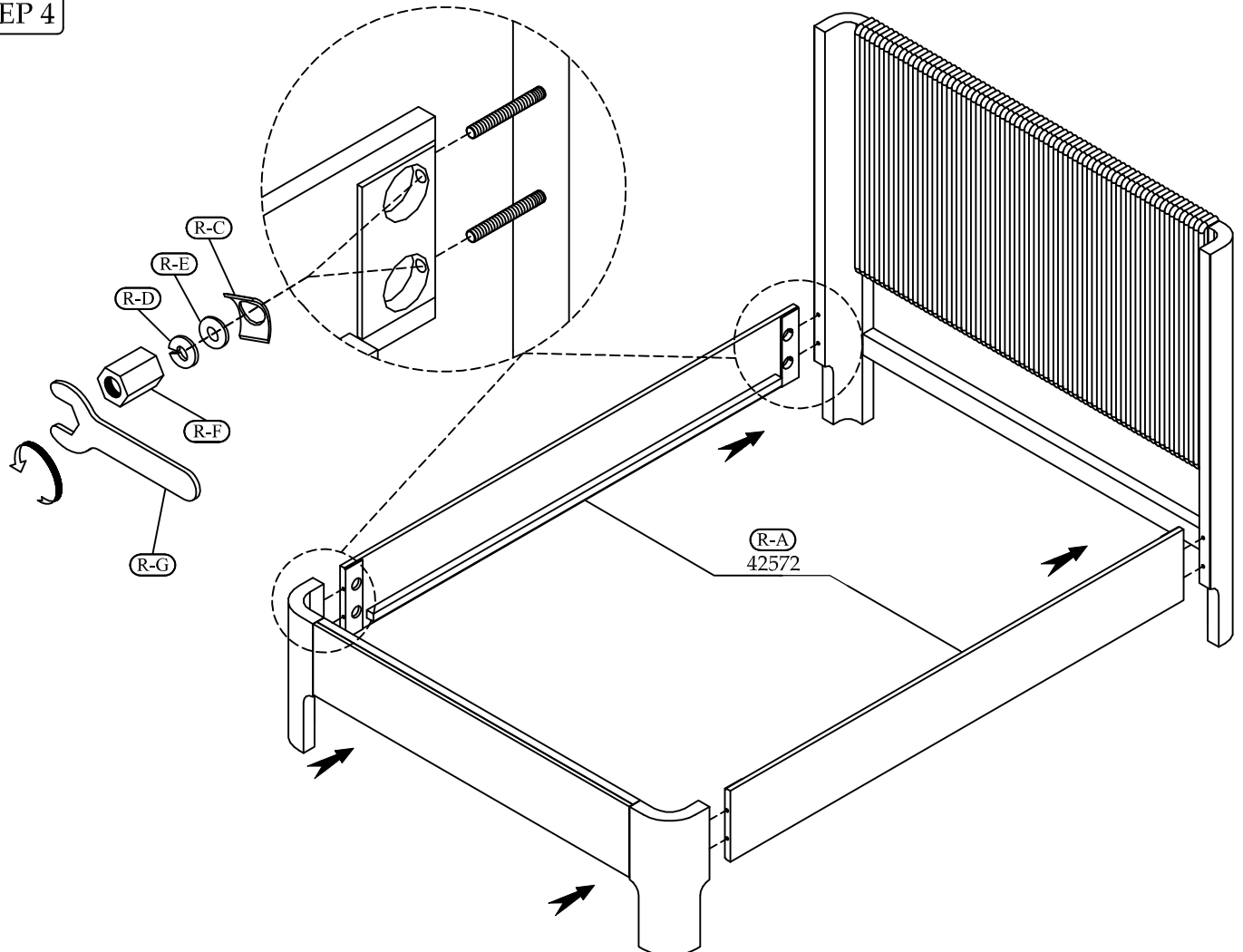
STEP 2



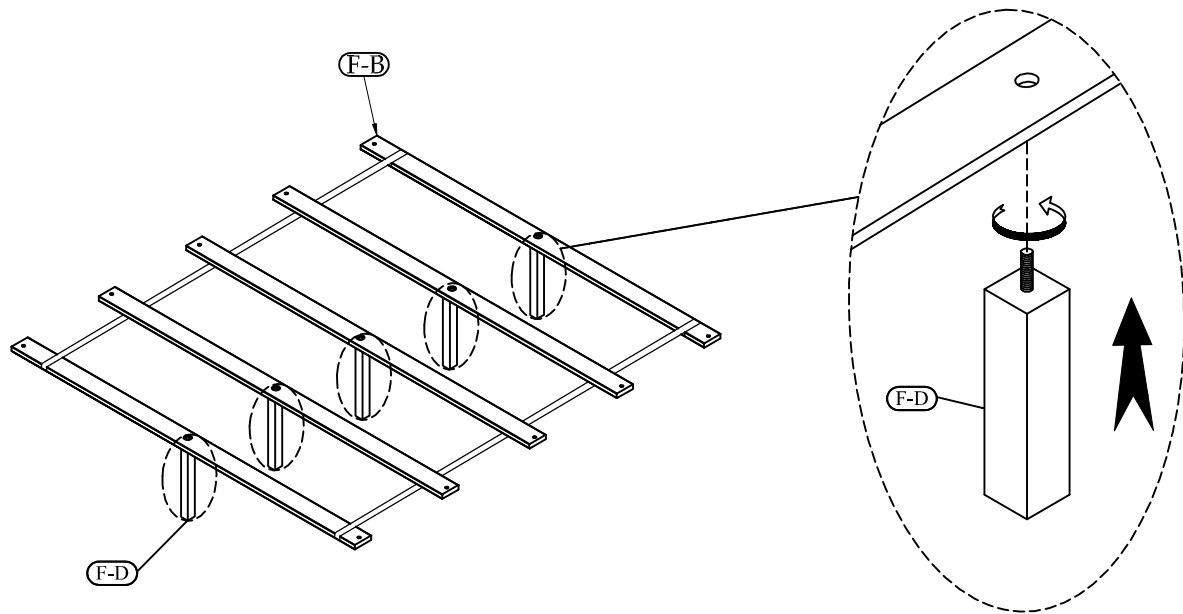
STEP 3



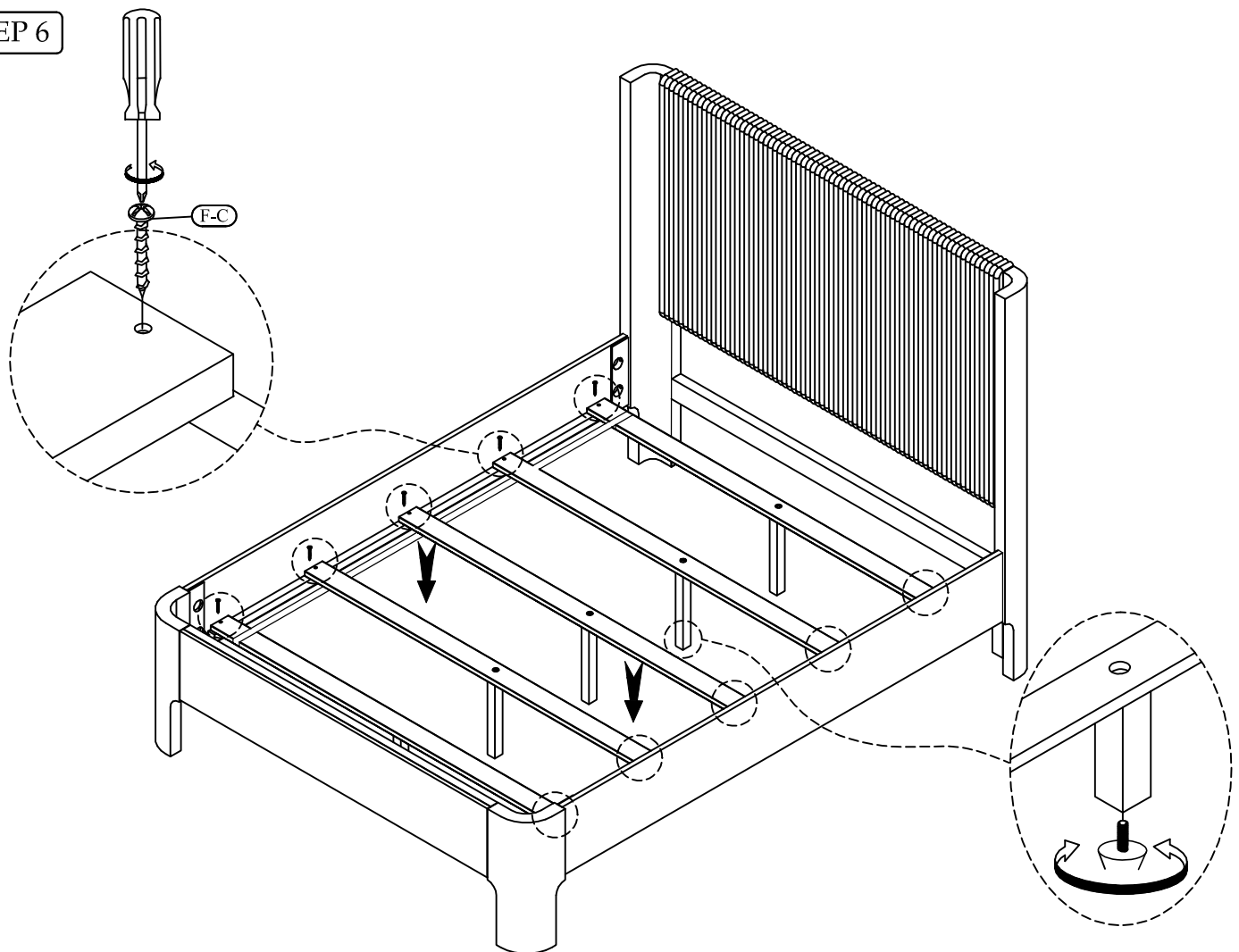
STEP 4



STEP 5



STEP 6



Adjustable leveler.